

STYLE. QUALITY. FUNCTION.

ARPANEL

Sandwich panels system

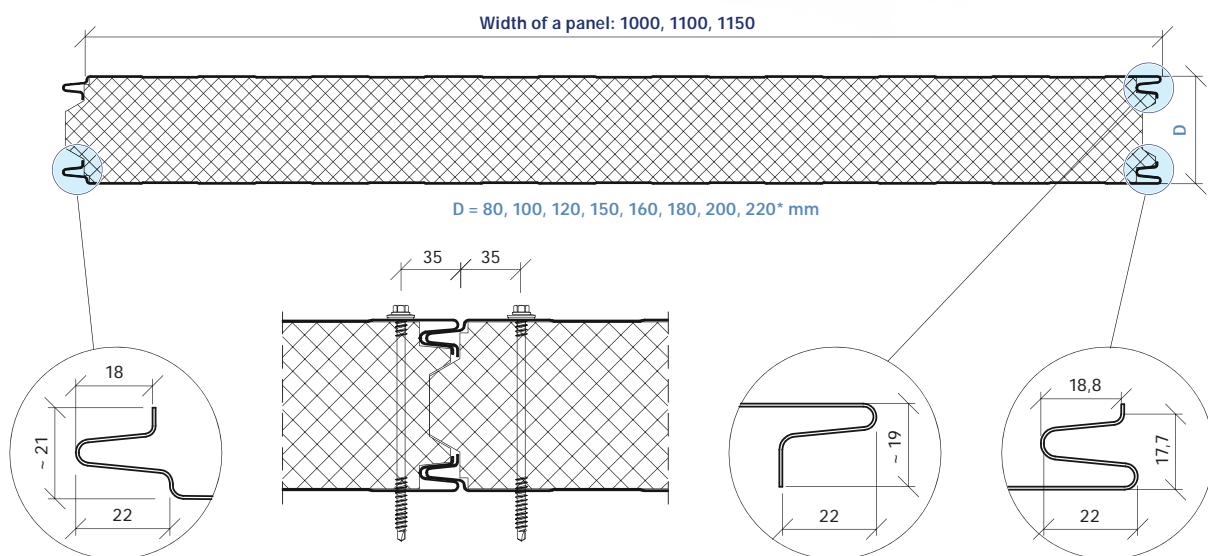
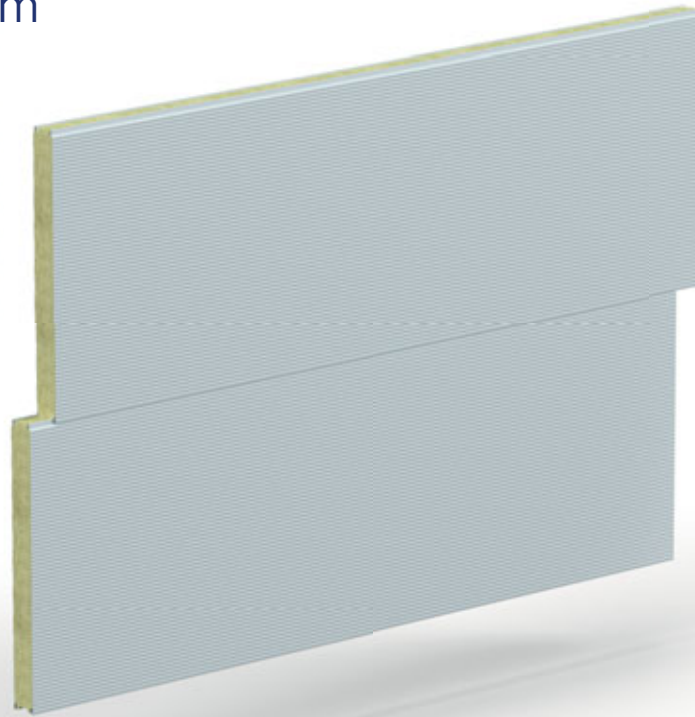
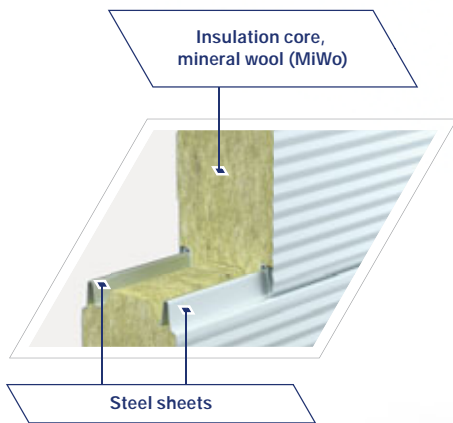


Structure and types of ARPANEL sandwich panels	4
Environment and conditions of use	18
Profiling of claddings	20
Technical parameters	22



Wall sandwich panel ARPANEL S MiWo

- standard fastening system

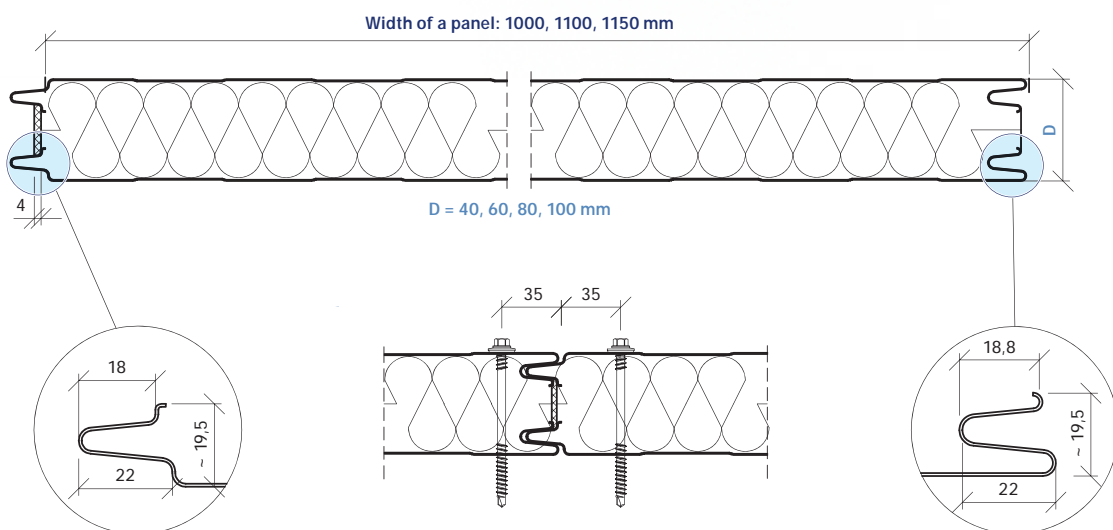
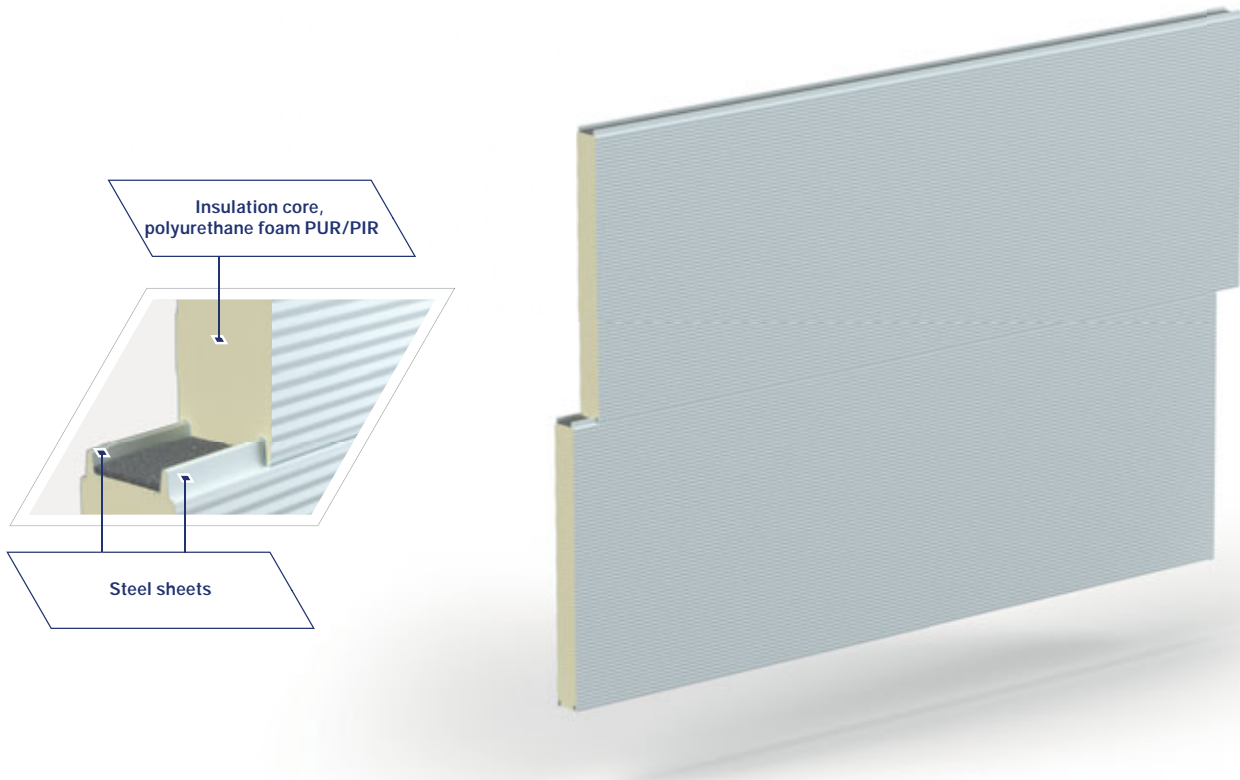


* The 220 mm thickness is produced on special order after consultation with the manufacturer



Wall sandwich panel ARPANEL S PUR/PIR

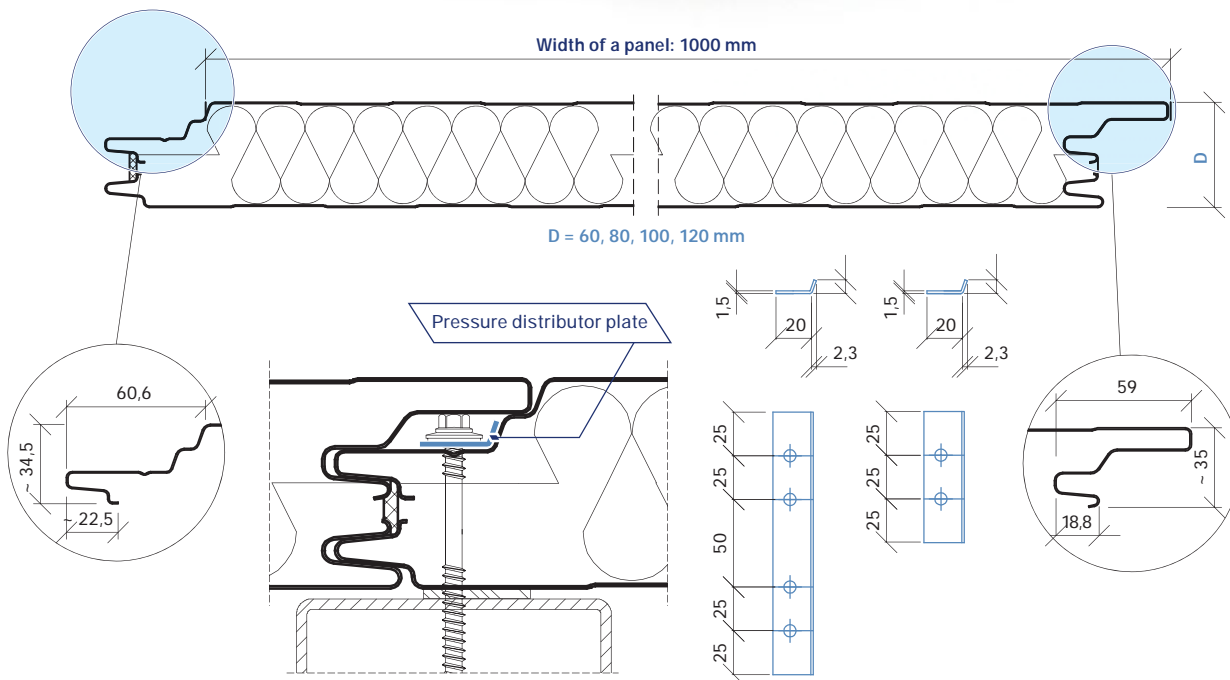
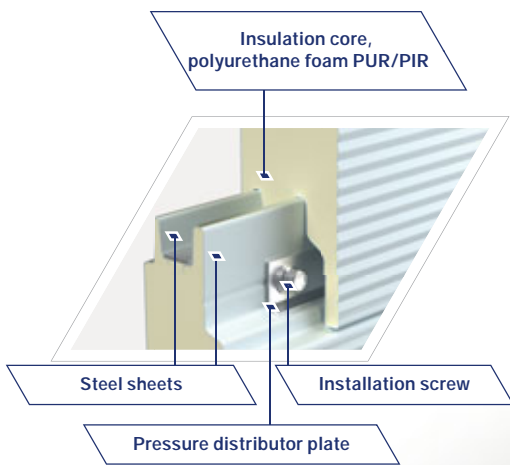
- standard fastening system





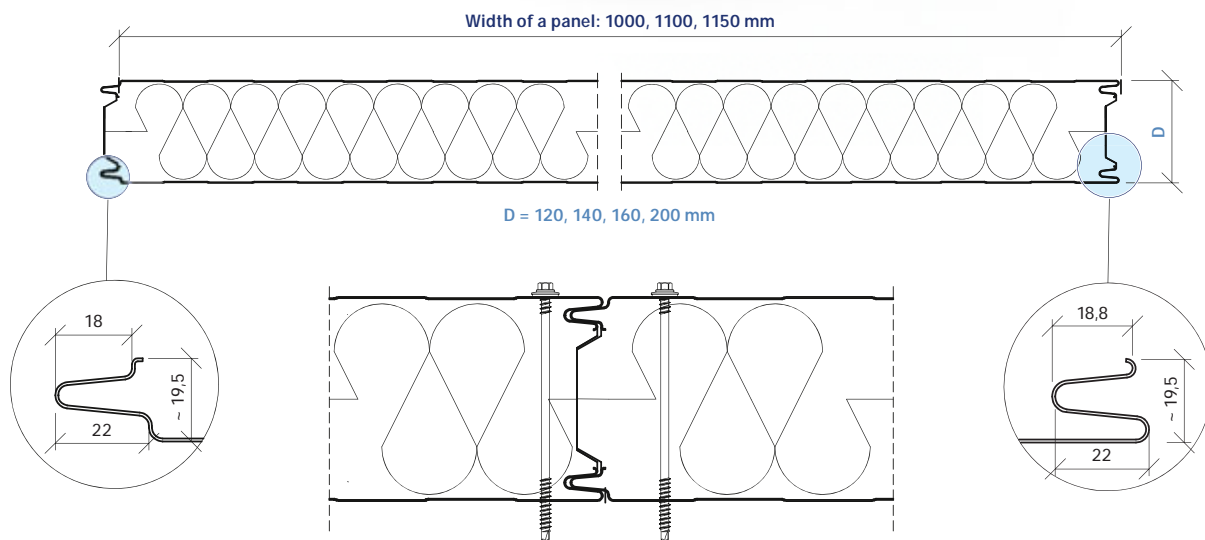
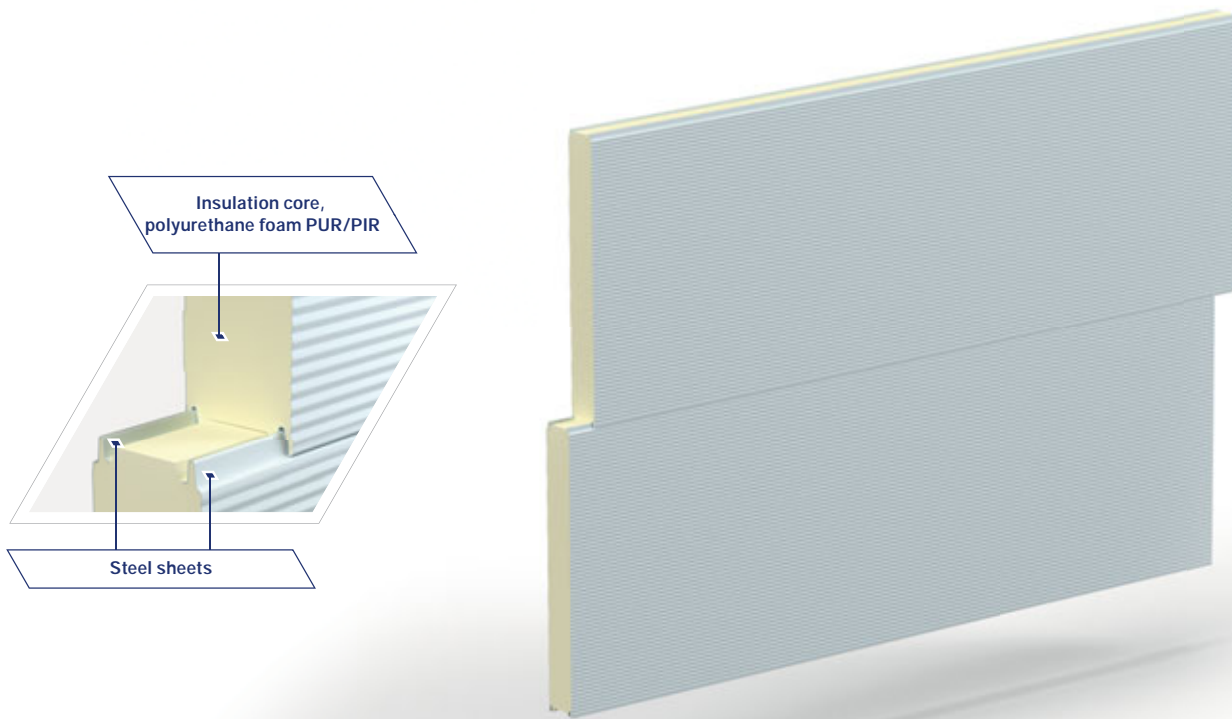
Wall sandwich panel ARPANEL SU PUR/PIR

- hidden fastening system



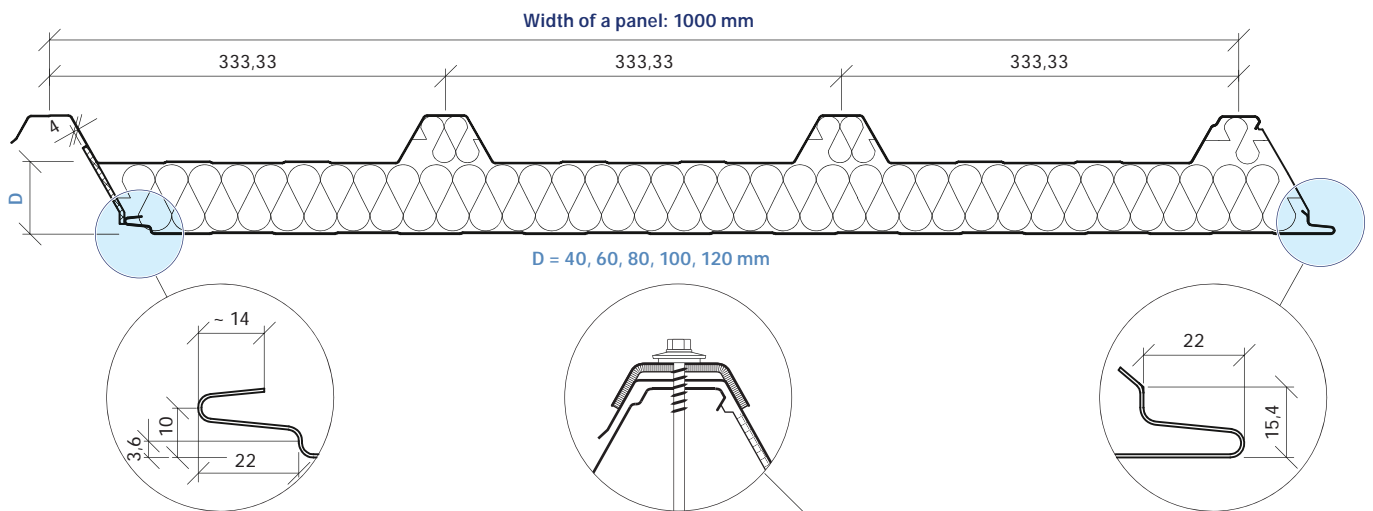
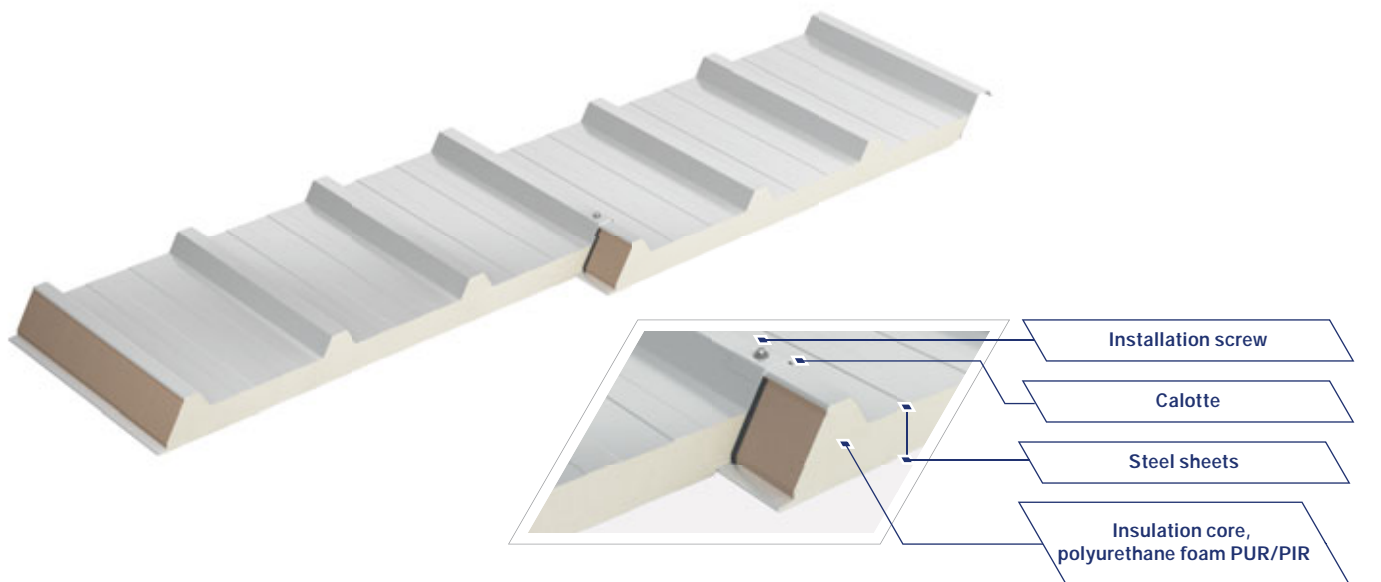


Cold store sandwich panel ARPANEL CH PUR/PIR

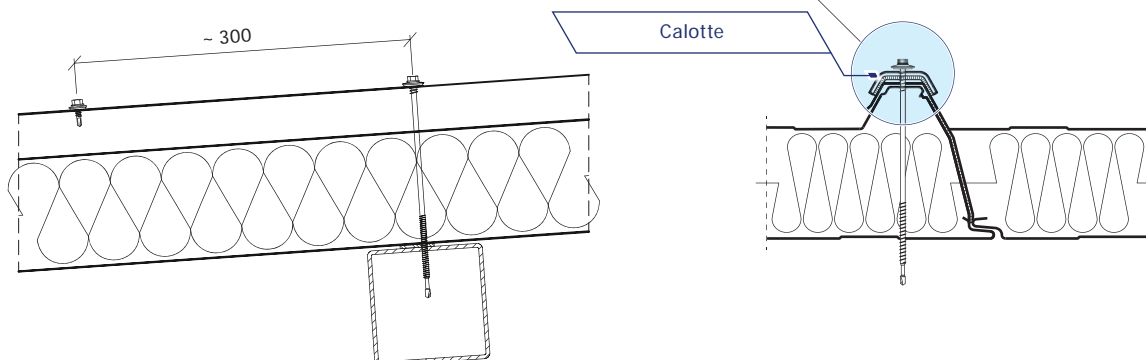




Roof sandwich panel ARPANEL D PUR/PIR

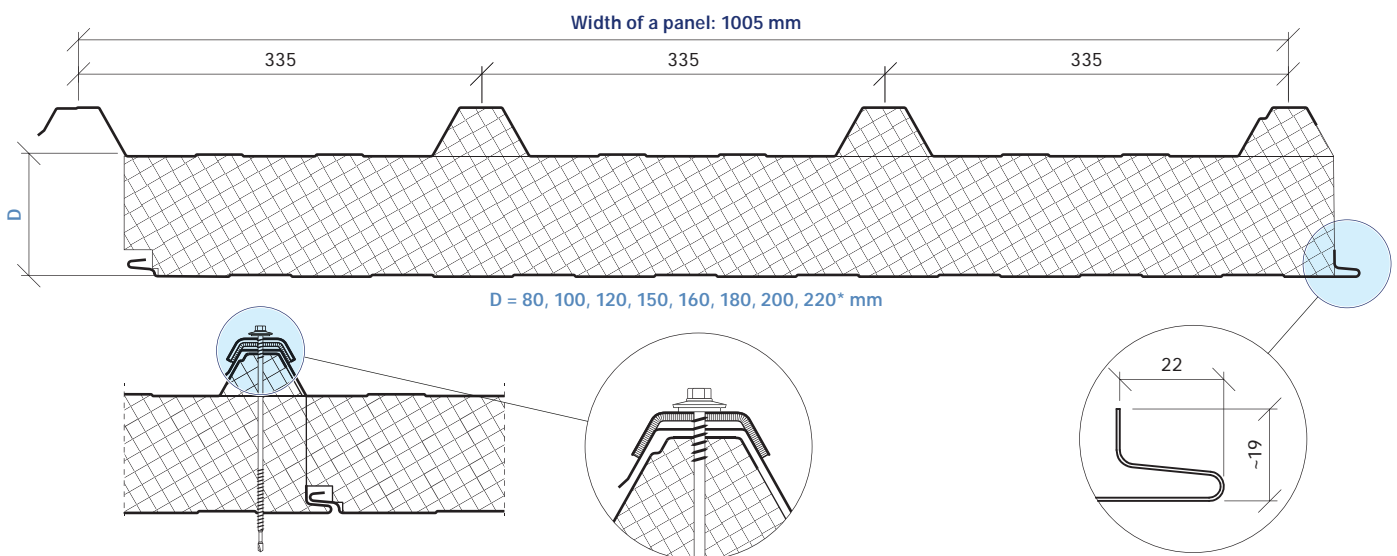
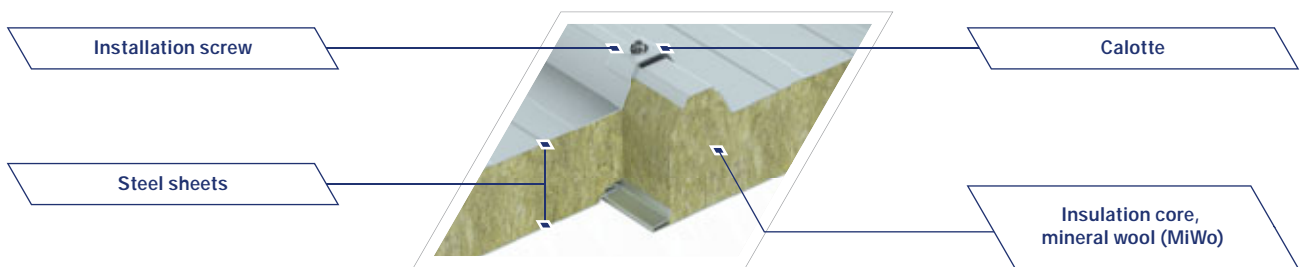
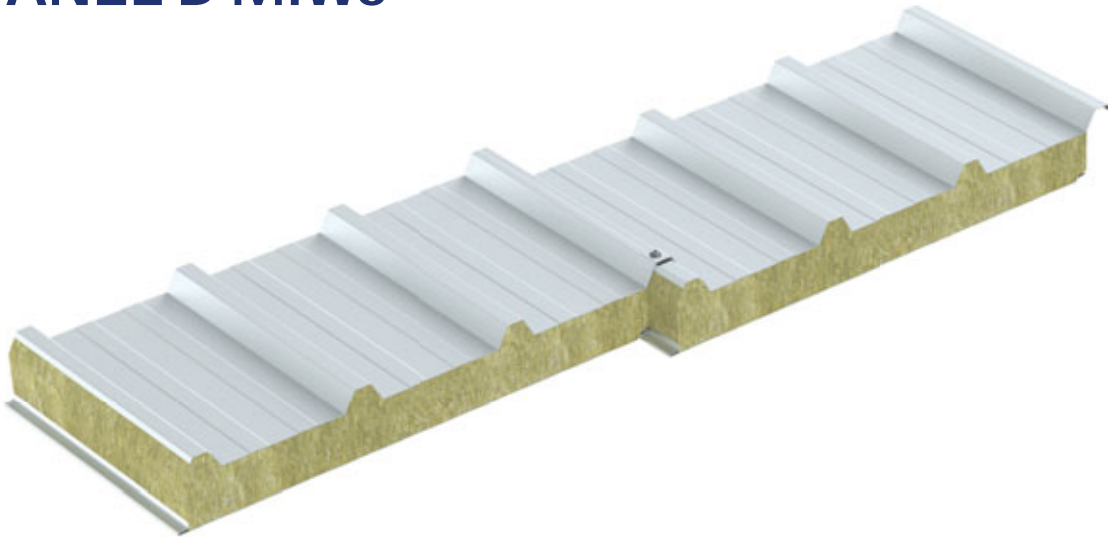


Roof sandwich panels installation system ARPANEL D





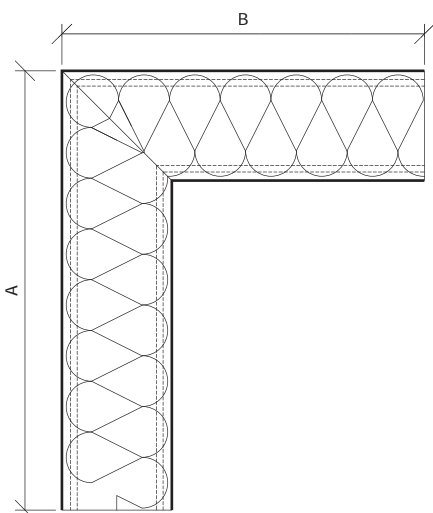
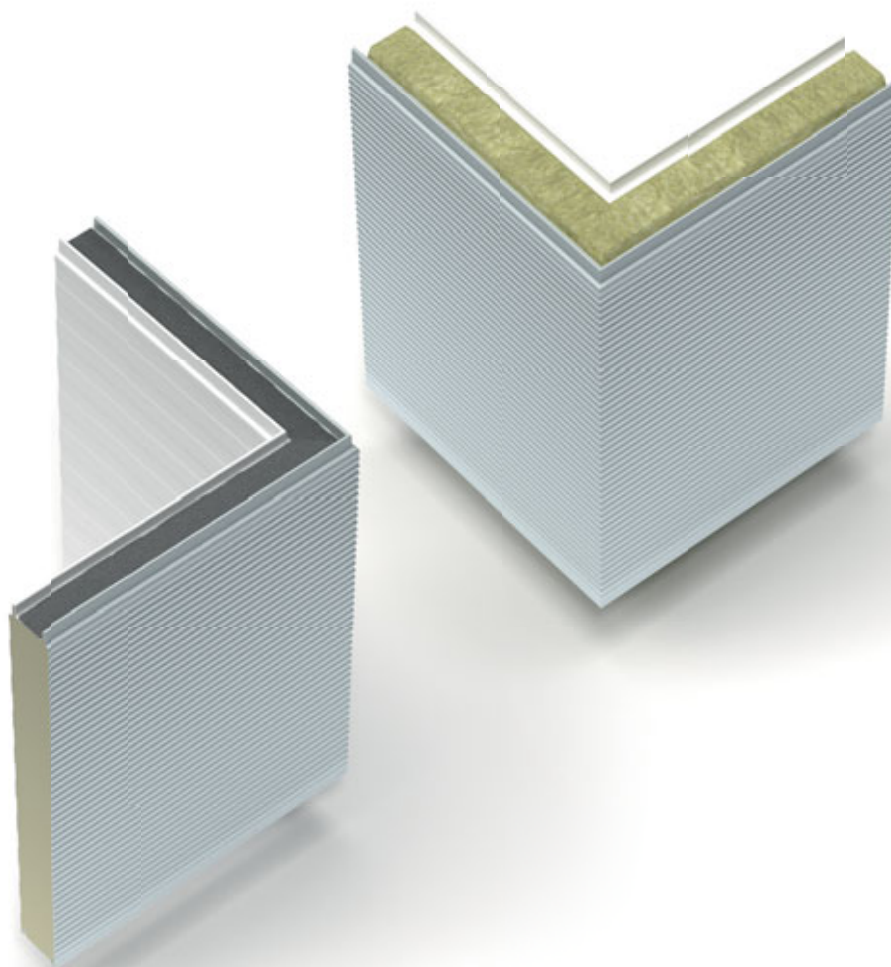
Roof sandwich panel ARPANEL D MiWo



* The 220 mm thickness is produced on special order after consultation with the manufacturer



Corner sandwich panel ARPANEL



Type of panel	Thickness [mm]	Dimension A+B [mm]	Dimension A or B
ARPANEL S MiWo	80 100	min. 800 / max. 3000	min. 400
	120 150	min. 800 / max. 2500	
	160 180 200	min. 800 / max. 2000	
ARPANEL S PUR/PIR	40 60 80 100	min. 800 / max. 4000	
	60 80 100	min. 800 / max. 4000	
ARPANEL SU PUR/PIR	120	min. 800 / max. 3000	
	ARPANEL CH PUR/PIR	120 140 160 200	min. 800 / max. 3000

When selecting anti-corrosion protective measures for ARPANEL sandwich panels, it is very important to adjust them to the environment/type of the weather where panels are installed. It is necessary to properly recognize and to determine the environment aggressiveness class, the outdoor one (from C2 to C5-M) and the indoor (from A1 to A6).

Acc. to PN-EN ISO 12940, depending on the aggressiveness level, the weather conditions (e.g. salinity, humidity, sulfur dioxide) were divided into classes, from C1 to C5M in case of the outdoor environment and from A1 do A6 for the indoor environments. For environments C1-C3, so called neutral ones, all coats type PE25 are applied, while in such locations as meat processing factories, fish processing factories, fertilizers factories, the designer cooperating with a user stipulates weather conditions on the basis of which the manufacturer can choose proper coatings.

Corrosivity category	
Outdoors	Indoors
C1	A1 Heated buildings, with a clean atmosphere, e.g. offices, stores, schools and hotels.
C2 Low pollution rate environments. Mainly rural areas.	A2 Non-heated buildings, where condensation may occur, e.g. warehouses, sports halls.
C3 Mid pollution rate environments. Mainly urban and industrial areas and near-coastal areas characterized by low salinity.	A3 Production rooms with high humidity and certain air pollution, e.g. foodstuffs plants, laundries, breweries, dairies.
C4 Mid salinity environments. Mainly industrial areas. 10 < 20 km from sea	A4 Chemicals factories, swimming pools, shipyards
C5 High humidity rate environments and with aggressive atmosphere. Mainly industrial areas. 0 < 10 km from sea	A5 Buildings or areas with nearly continuous condensation and high pollution rate.
C5M Near-coastal and sea areas with large salinity.	A6 Buildings or areas with nearly continuous condensation and high pollution rate.

External UV ultraviolet radiation is determined in accordance with EN10169, and in compliance with Ruv1- Ruv4 category. The UV resistance category defines how well a coating retains its original color and gloss when exposed to external conditions. Coatings in the Ruv1 category demonstrate very low resistance, and should only be used indoors, while coatings in the Ruv4 category are highly resistant to UV radiation, and therefore recommended for outdoor use.

UV resistance category	
UV resistance	
Ruv1	Very low
Ruv2	Low High level of the color change, acceptable change of the color. Significant loss of gloss.
Ruv3	Average Moderate color change and loss of the color are acceptable. Loss of the gloss at mid pace.
Ruv4	High Minimal color change and loss of the color are acceptable. Loss of gloss at very low level.

In the following table the exemplary anti-corrosion protection of steel sheets for particular environments is determined.

Type of protection against corrosion			SP	SP	PVDF	PVDF+	PUR	PVC(P)	PVC+F
Anti-corrosion classification [DIN 55928-8]			II	III	III	III	III	III	III
General organic density [EN 13523-1]			15	25	25	35	50	175-200	120-200
Category of corrosion resistance**									
Outdoors – EN 10169-2			-	RC3	RC3	RC4	RC5	RC5	-
Indoors – EN 10169-3			CPI2	CPI3	CPI3	CPI4	CPI5	CPI4	CPI5
Types of outdoor atmosphere / corrosivity category EN 10169-2	Rural - normal	C2							
	Urban and industrial	C3 i C4							
	Sea	0<10 km from sea	C5 - M						
		10<20 km from sea	C4						
	Heavy industrial	C5-I							
Types of indoor atmosphere / corrosivity category EN 10169-3	Non-corrosive atmosphere Routine conservation – normal Low humidity	Ai1 -40°C → 25°C 0% - 40%*							
	Non-corrosive atmosphere Routine conservation – normal Average humidity	Ai2 0°C → 25°C 40% - 60%*							
	Non-corrosive atmosphere Delicate cleaning High humidity	Ai3 0°C → 25°C 60% - 80%*							
	Slightly corrosive atmosphere Delicate cleaning Humid (condensation risk)	Ai4 0°C → 30°C 60% - 80%*							
	Corrosive atmosphere Intensive cleaning Very humid (frequent condensation risk)	Ai5 0°C → 35°C 80% - 90%*							
	Strongly corrosive atmosphere Very intensive cleaning Saturated (constant condensation risk)	Ai6 0°C → 40°C 90% - 100%*							
Flexibility									
Resistance to dirt									
Temperature resistance (°C)			+70	+80	+110	+110	+110	+70	+70
UV resistance category (ultraviolet radiation) EN 13523-10			-	Ruv3	Ruv4	Ruv4	Ruv4	Ruv2	-

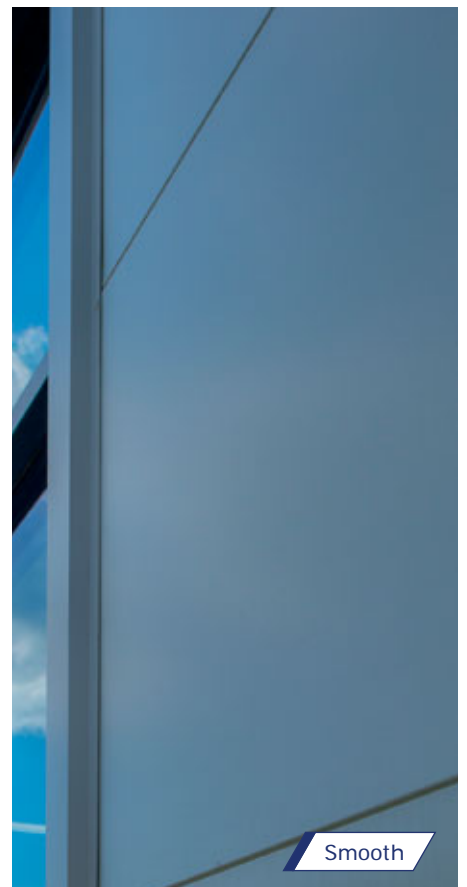
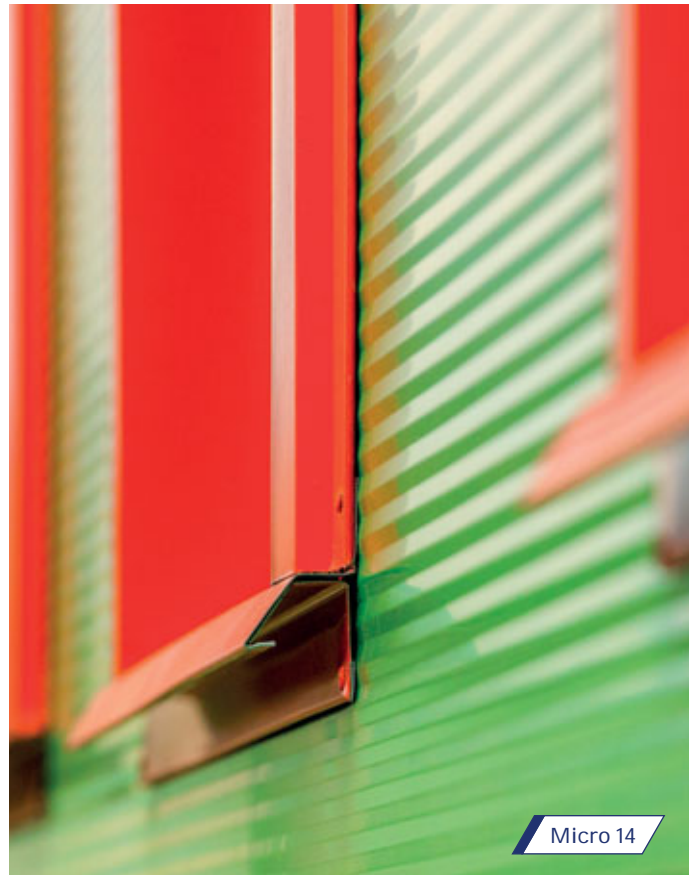
Legend:

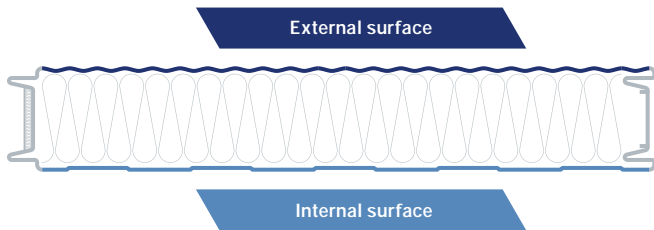
	unsuitable		Good with exceptions		Good		Very good		Very good with no exceptions
--	------------	--	----------------------	--	------	--	-----------	--	------------------------------

* During cleaning process, the temperature cannot drop below the condensation point. Detailed information is provided in the table: temperature of the condensation point concerns a particular ambient temperature and the relative humidity. In case of cooling, the working temperature must be at least 3°C higher than the condensation point.

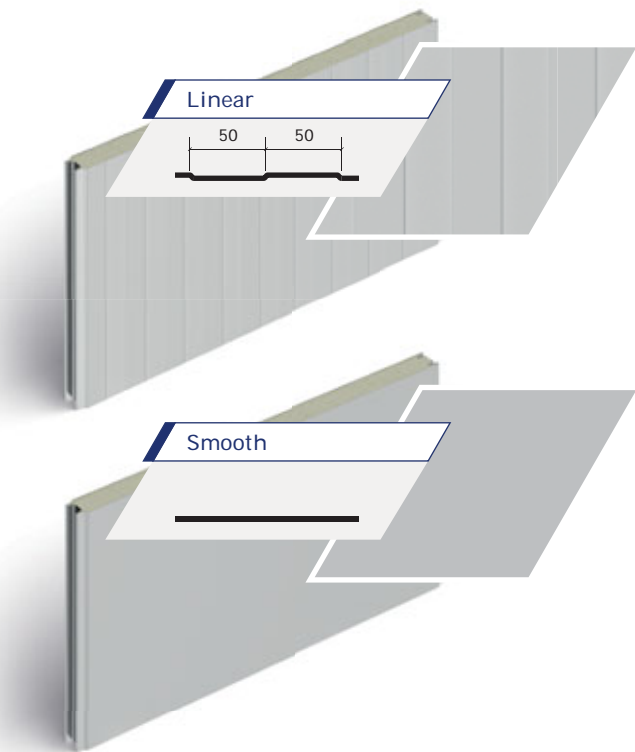
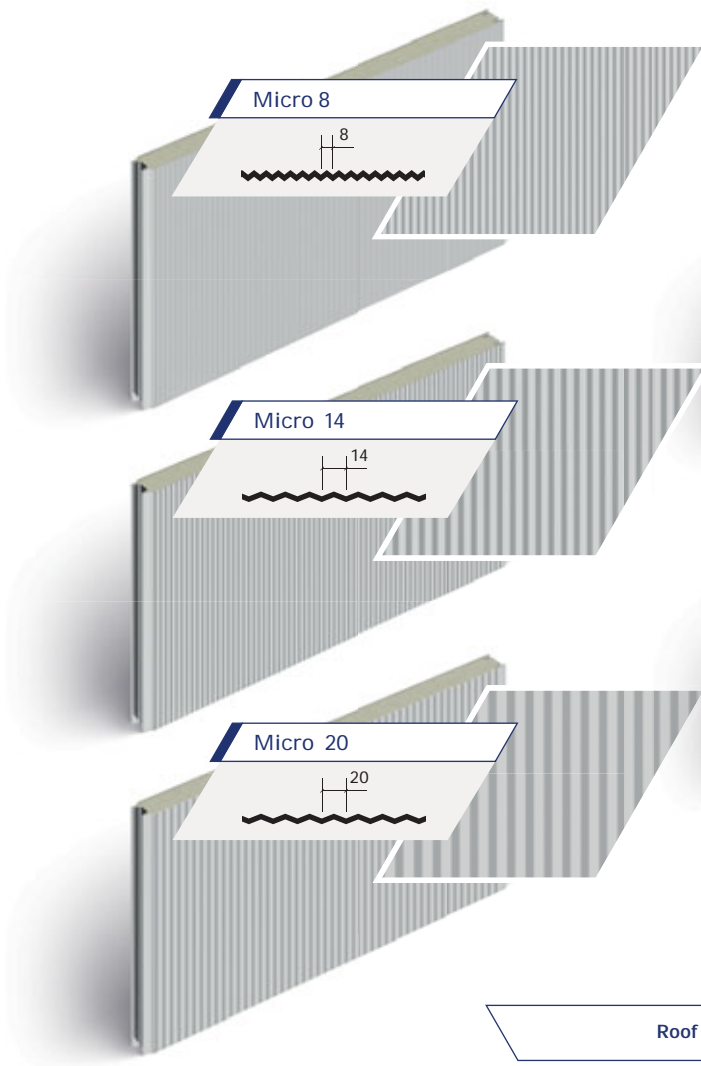
** The categories of corrosiveness depend on climate conditions inside and outside the building. Standard external climate conditions: C1, C2, C3, C4, C5-M and C5-I. Example: C3 external atmosphere - choose the steel metal sheet with RC3 or RC4 category of corrosiveness.

*** Recommended to be used from the 48th parallel and at max. temp. 70°C

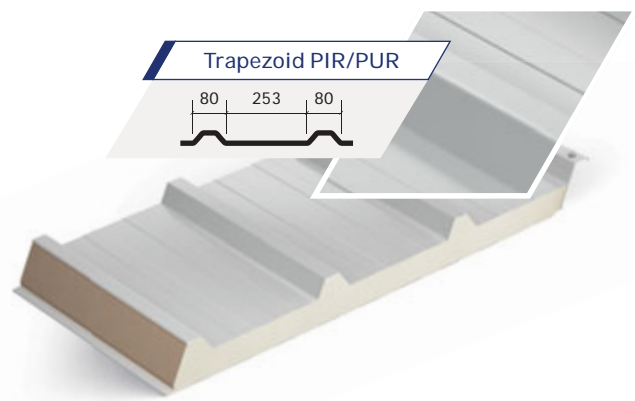
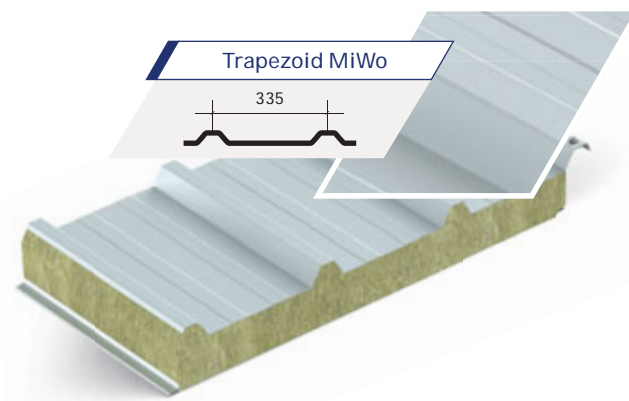




Profilerung	External surface	Internal surface
Linear	YES	YES
Smooth	YES	YES
Micro 14	YES	NO
Micro 8	YES	NO
Micro 20	NO	YES



Roof profile



Panel thickness [mm]

Weight [kg/m²]

Heat transfer coefficient U_{ds} [W/m²*K]

WG PN-B-02867

Fire resistance class

PN-EN 13501-1

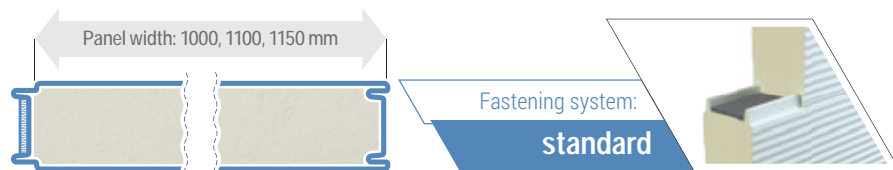
PN-EN 13501-2

PN-EN 13501-5

Proper acoustic insulation $R_w(C, C_{tr})$ [dB]

Sound absorption α_w

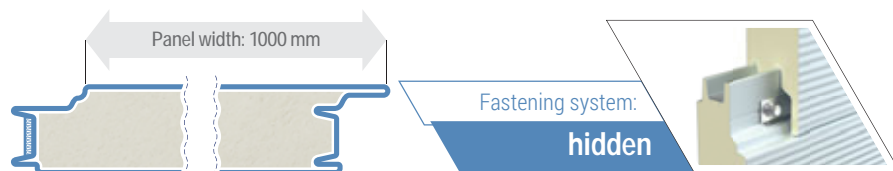
Wall sandwich panel ARPANEL S PIR – standard fastening system



Available lengths: **2-18,5 m** / Thickness of claddings: **0,5/0,5 mm** / Core density: **40 ± 3 kg/m³**

40	10	0,58	NRO	B-s1,d0	NPD	not applicable	25 (-2; -4)	0,15
60	10,7	0,37			E 15 / EI 15			
80	11,6	0,27			E 20 / EI 20			
100	12,7	0,22			E 30 / EI 30			

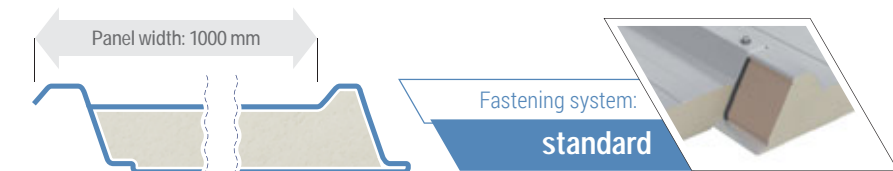
Wall sandwich panel ARPANEL SU PIR – hidden fastening system



Available lengths: **2-18,5 m** / Thickness of claddings: **0,5/0,5 mm** / Core density: **40 ± 3 kg/m³**

60	11	0,43	NRO	B-s1,d0	NPD	not applicable	25 (-2; -4)	0,15
80	11,7	0,29			E 30 / EI 20			
100	12,5	0,23			E 30 / EI 30			
120	13,2	0,19						

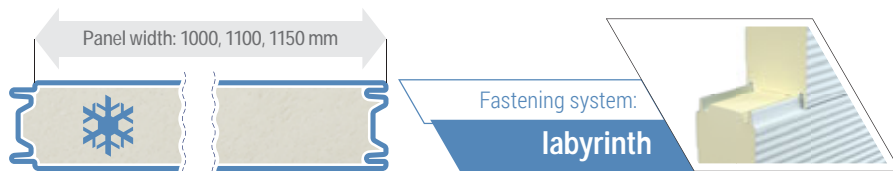
Roof sandwich panel ARPANEL D PIR



Available lengths: **2-18,5 m** / Thickness of claddings: **0,5/0,5 mm** / Core density: **40 ± 3 kg/m³**

40/80	10,5	0,53	not applicable	B-s2,d0	NPD	Roof(t1)	25 (-1; -4)	0,15
60/100	11,3	0,36						
80/120	12,1	0,27						
100/140	12,9	0,22			REI 30 / RE 60			
120/160	13,7	0,18						

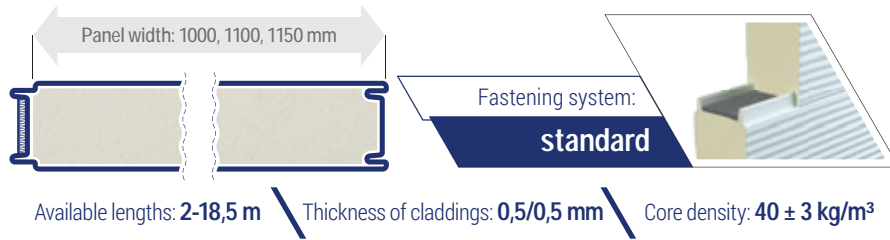
Cold store sandwich panel ARPANEL CH PIR



Available lengths: **2-18,5 m** / Thickness of claddings: **0,5/0,5 mm** / Core density: **40 ± 3 kg/m³**

120	13,1	0,17*	NRO	B-s1,d0	E 30 / EI 30	not applicable	24 (-2; -4)	0,15
140	13,8	0,15*						
160	14,5	0,13*			E 60 / EI 45			
200	15,9	0,10*						

Wall sandwich panel ARPANEL S PUR – standard fastening system



40	10	0,58	NRO	B-s3,d0	NPD	not applicable	25 (-2; -4)	0,15
60	10,7	0,37						
80	11,6	0,27						
100	12,7	0,22						

Wall sandwich panel ARPANEL SU PUR – hidden fastening system



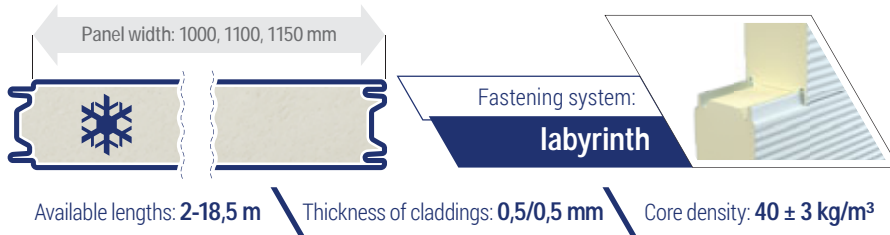
60	11	0,43	NRO	B-s3-d0	NPD	not applicable	25 (-2; -4)	0,15
80	11,7	0,29						
100	12,5	0,23		B-s2-d0				
120	13,2	0,19						

Roof sandwich panel ARPANEL D PUR



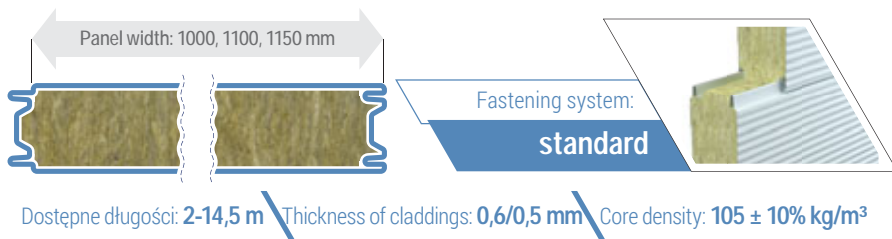
40/80	10,5	0,53	not applicable	D-s3,d0	NPD	Broof(t1)	25 (-1;4)	0,15
60/100	11,3	0,36						
80/120	12,1	0,27						
100/140	12,9	0,22						
120/160	13,7	0,18						

Cold store sandwich panel ARPANEL CH PUR



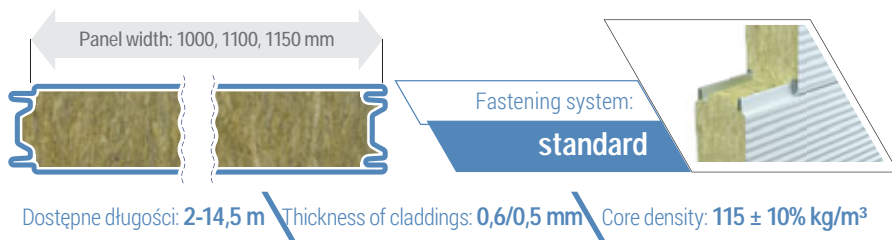
120	13,1	0,17*	NRO	B-s3,d0	NPD	not applicable	24 (-2;-4)	0,15
140	13,8	0,15*						
160	14,5	0,13*						
200	15,9	0,10*						

Wall sandwich panel ARPANEL S MiWo – standard fastening system



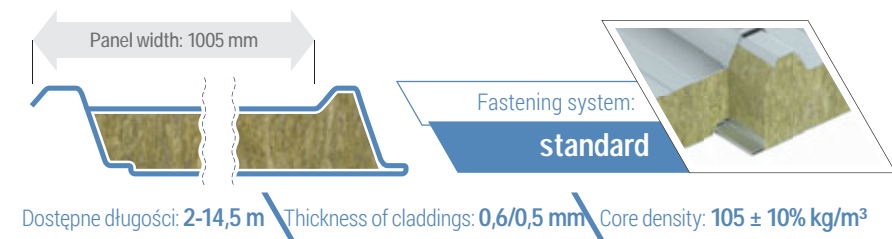
80	18,4	0,48	NRO	A2-s1,d0	E 60 / EI 60	not applicable	30 (-1; -2)	0,15
100	20,2	0,39			E 120 / EI 60		32 (-1; -3)	
120	22,0	0,32			E 120 / EI 120		32 (-2; -4)	
150	24,8	0,26			E 240 / EI 240		32(-3;-5)	
160	25,7	0,25					31(-1;-3)	
180	27,5	0,22						
200	29,3	0,20						
220**	31,1	0,18						

Wall sandwich panel ARPANEL S MiWo XL – standard fastening system



100	21,2	0,40	NRO	A2-s1,d0	E 120 / EI 60	not applicable	31 (-1; -3)	0,15
120	22,9	0,33			E 120 / EI 120			
150	25,5	0,27			E 240 / EI 240		31 (-2; -3)	
160	26,4	0,26						
180	28,1	0,22						
200	29,8	0,20						

Roof sandwich panel ARPANEL D MiWo

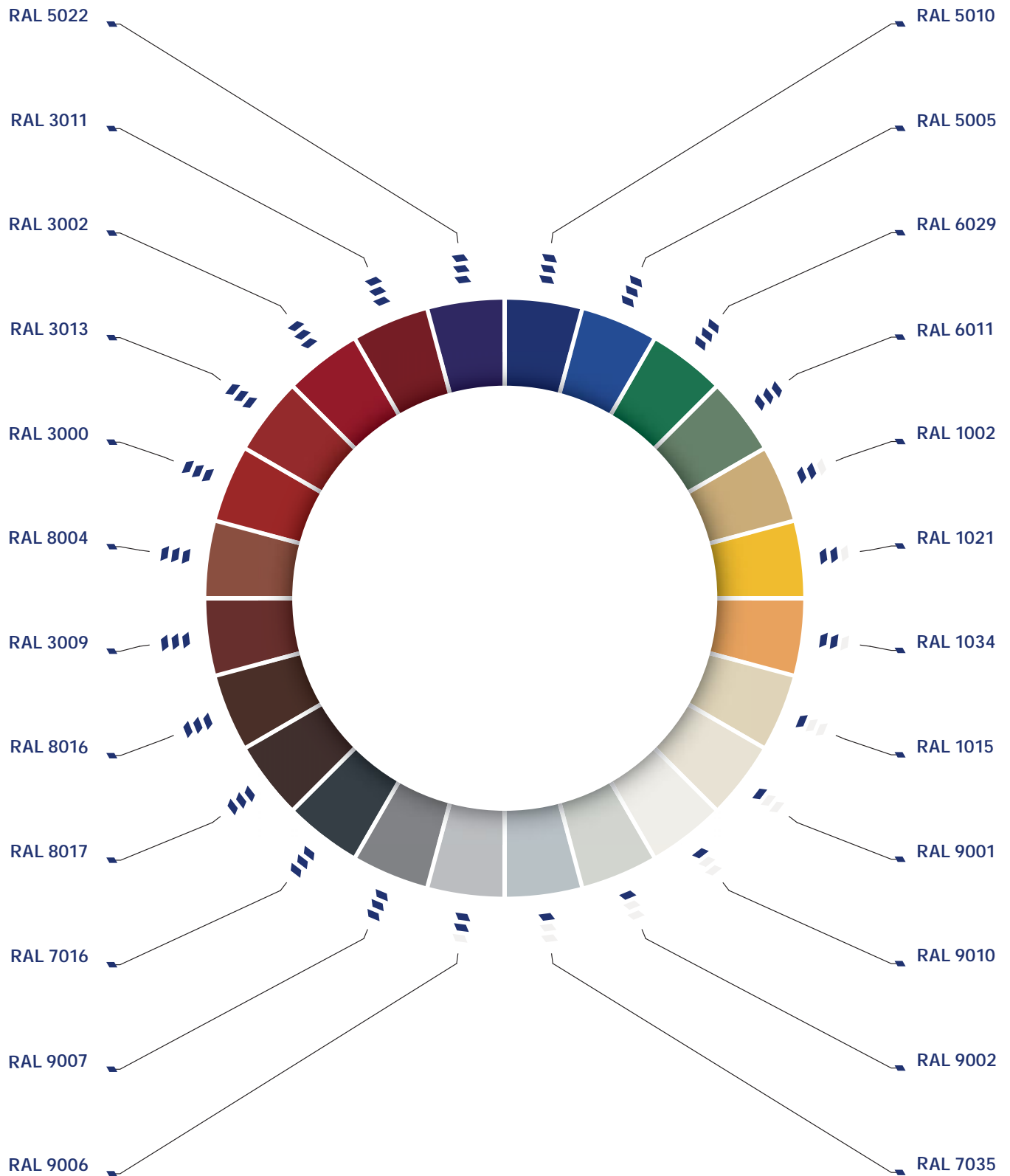


80/120	19,1	0,48	not applicable	A2-s1,d0	NPD	RE 120 / REI 90	Broof (t1)	30 (-1; -3)	0,20
100/140	20,9	0,39						31 (-1; -3)	
120/160	23,4	0,32							
150/190	26,2	0,26							
160/200	27,3	0,24							
180/220	29,3	0,22							
200/240	31,3	0,20							
220/260**	33,4	0,18							

Panel thickness [mm]	Weight [kg/m ²]	Heat transfer coefficient U _{0,5} [W/m ² *K]	Fire resistance class			Proper acoustic insulation R _w (C, C _p) [dB]	Sound absorption α _v
			WG PN-B-02867	PN-EN 13501-1	PN-EN 13501-2		

The presented contents and drawings are demonstrative material only. Adamietz Sp z o.o, the producer of sandwich panels ARPANEL, is not responsible for any differences between the content of the tables and the real products parameters.

* The design heat transfer coefficient designated for 0°C. ** The 220 mm thickness is produced on special order after consultation with the manufacturer.



Color groups: dark bright very bright

* The presented groups of RAL colors are demonstrative material only and may differ in shades from real colors.

ARPANEL

ARPANEL - Sandwich panels

Adamietz Sp. z o.o.

Braci Prankel 1

47-100 Strzelce Opolskie

Poland

NIP [Tax Id. No.]: 756 18 36 633

tel. +48 77 463 00 55

fax +48 77 463 92 00

biuro@arpanel.eu

Adamietz Sp z o.o, the producer of ARPANEL sandwich panels, is not responsible for any differences between the content of technical catalogue and the real products parameters.

The producer reserves the right to implement changes and modifications to the content without prior notice.

Pursuant to the Civil Code, the content of the product card does not constitute a commercial offer.